

MARC WOOD



The Rosa collection was designed to showcase the opaque beauty of natural marble. The pendant incorporates a backlit Rosa Estremoz marble disc that emits a soft, warm illumination, pierced by the natural veining of the stone.

Rosa ring cluster - 4 piece

Dimensions cm

H 130cm x W 63cm x D 63cm

Dimensions inch

H 51.1in x W 24.8in x D 24.8in

Material

Brass + Rosa Estremoz Marble

Weight

10 kg/22 lb

Finishes - metal

Brushed brass, Brushed nickel
Blackened steel

Suspension

2m/79in. cable - black

Canopy

White finish,
DIA 48cm (18.9in) x 2.5cm/1in
White as standard.
Bespoke colours available.
Can be inset or surface mounted

Driver

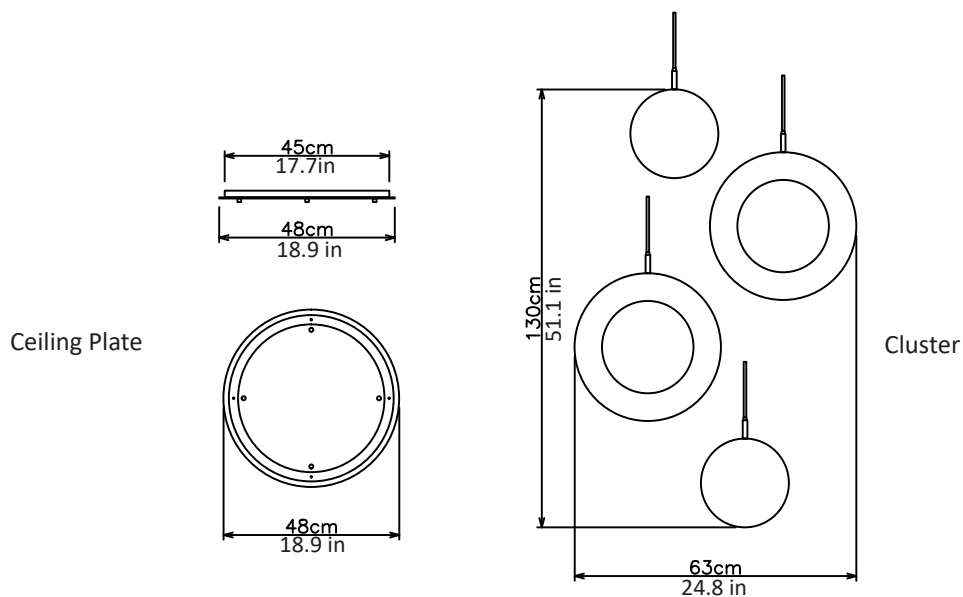
Dimmable driver included

240V Illumination

Integrated LED
Lumens: 740lm x 4
Colour Temperature: 2700K
Dimmable: LED dimmer required

120V illumination

Integrated LED
Lumens: 740lm x 4
Colour Temperature: 2700K
Dimmable: LED dimmer required



MARC WOOD



The Rosa collection was designed to showcase the opaque beauty of natural marble. The pendant incorporates a backlit Rosa Estremoz marble disc that emits a soft, warm illumination, pierced by the natural veining of the stone.

Rosa ring cluster - 6 piece

Dimensions cm

H 180cm x W 79cm x D 79cm

Dimensions inch

H 70.9in x W 31.1in x D 31.1in

Material

Brass + Rosa Estremoz Marble

Weight

15 kg/33 lb

Finishes - metal

Brushed brass, Brushed nickel
Blackened steel

Suspension

2m/79in. cable - black.

Longer cables can be fitted if required

Canopy

White finish,

DIA 50cm (19.6in) x 2.5cm/1in

White as standard. Bespoke colours available

Can be inset or surface mounted

Driver

Dimmable driver included

240V Illumination

Integrated LED

Lumens: 740lm x 6

Colour Temperature: 2700K

Dimmable: LED dimmer required

120V illumination

Integrated LED

Lumens: 740lm x 6

Colour Temperature: 2700K

Dimmable: LED dimmer required

